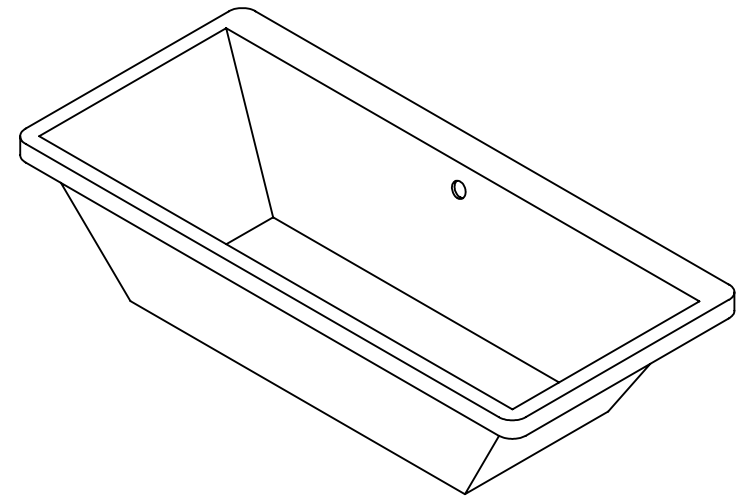
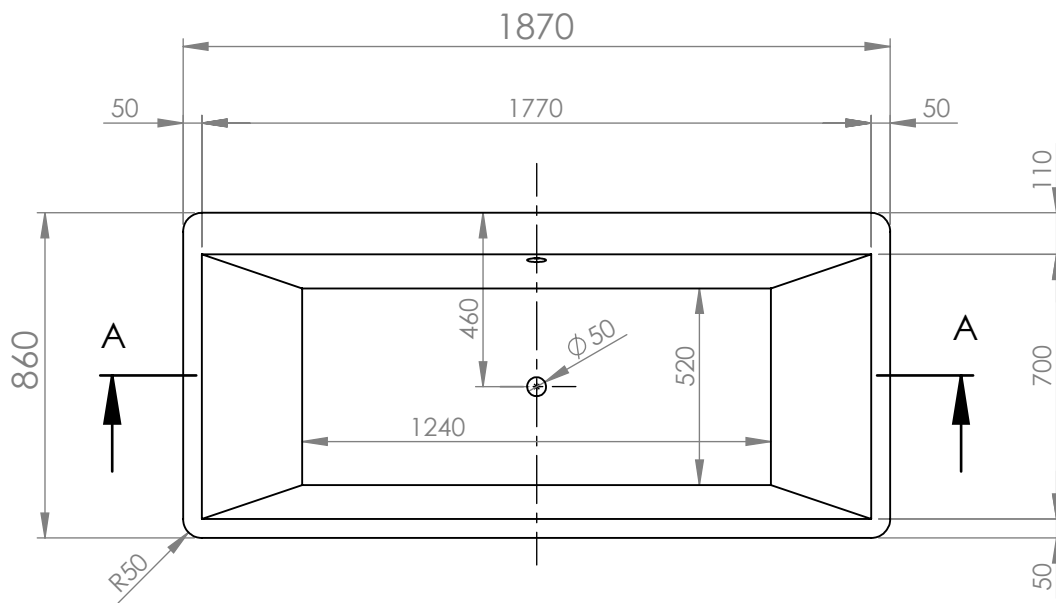
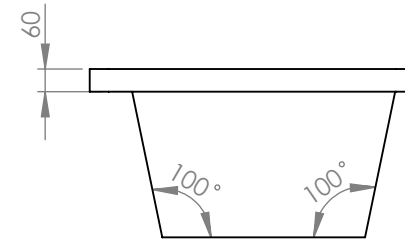


SECTION A-A



		TITLE:	
		BATHTUB EVITA 190x90	
DRAWN	DATE	NAME	DWG NO.
	26/09/2021	KONSTANTINOS PAIZANOS	A4
SCALE:1:20		SHEET 1 OF 1	