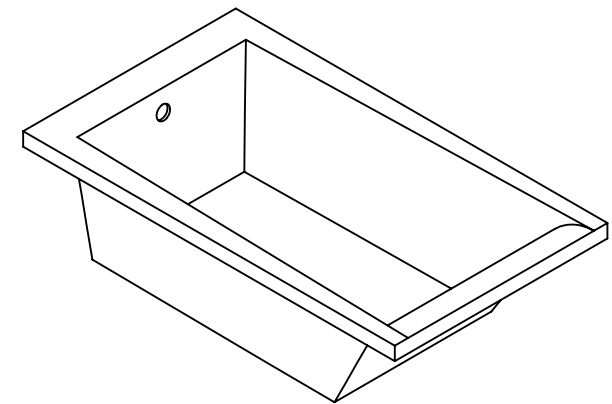
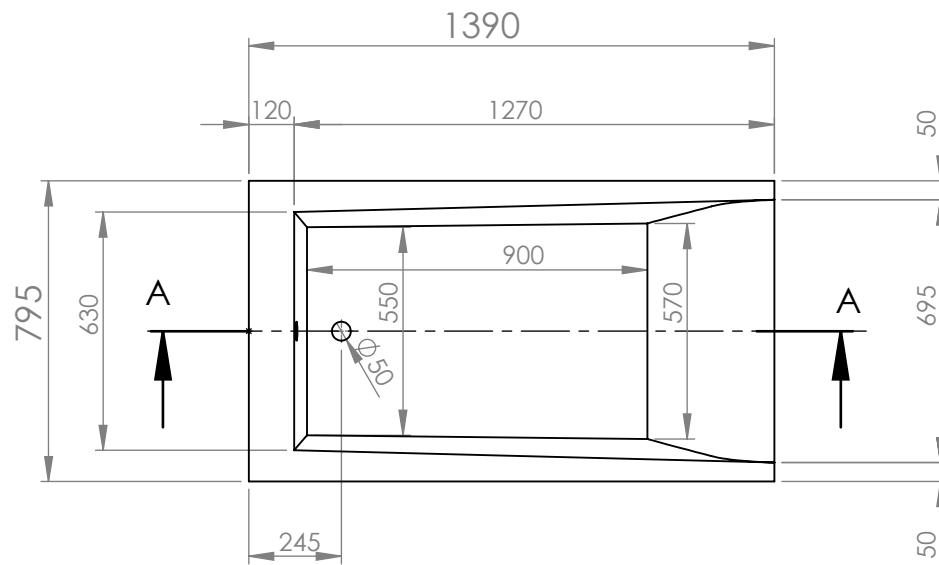
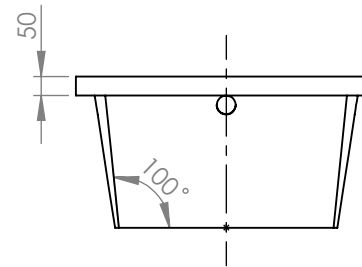

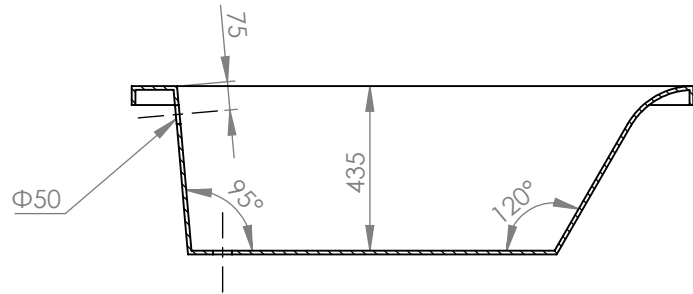


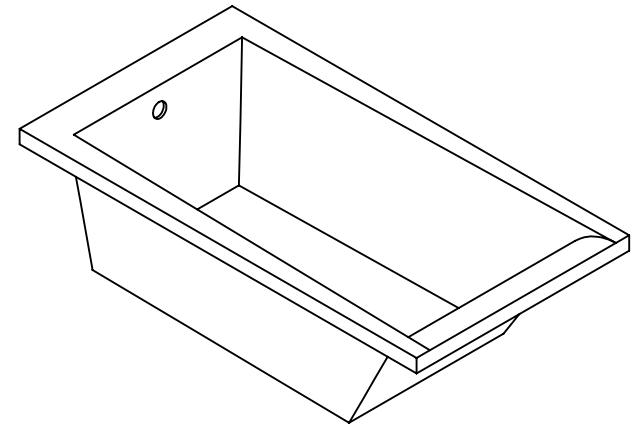
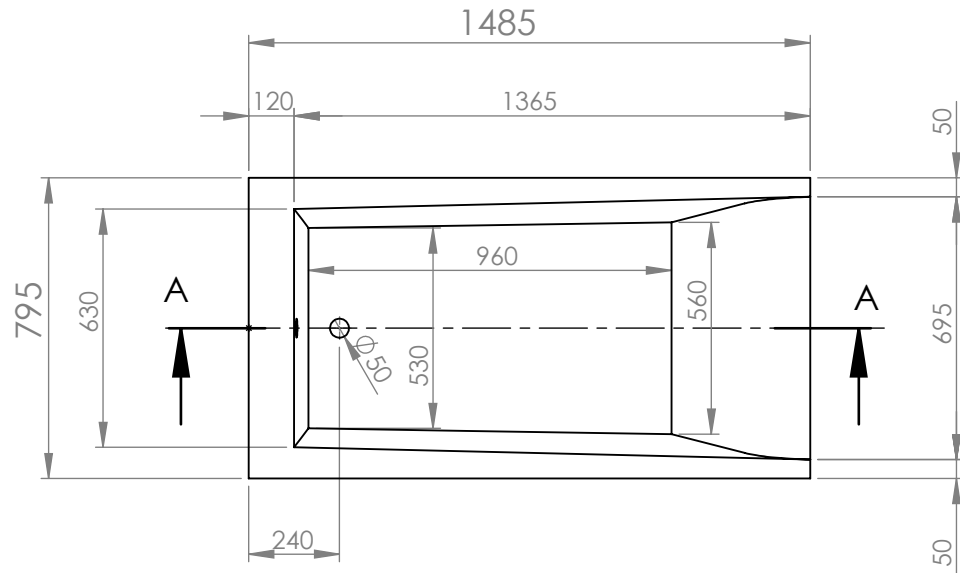
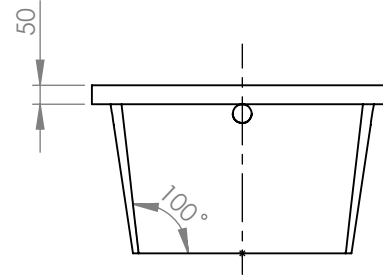
SECTION A-A



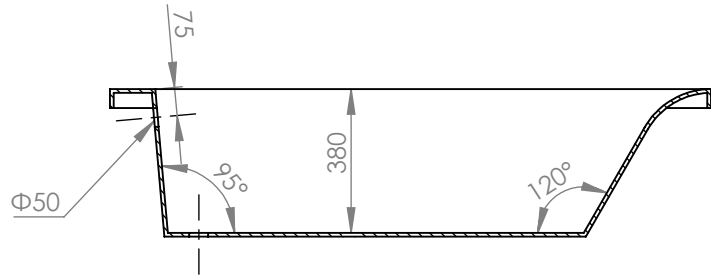
		TITLE: BATHTUB MOCCA LINE 140X80	
		DWG NO.	A4
DRAWN	DATE	NAME	SCALE:1:20
	05/07/2021	KONSTANTINOS PAIZANOS	SHEET 1 OF 1



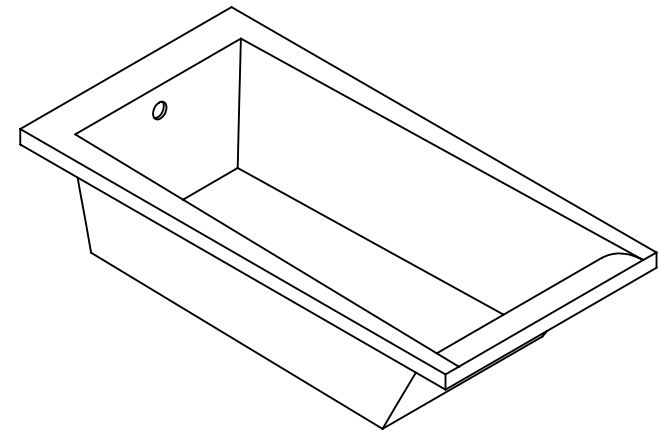
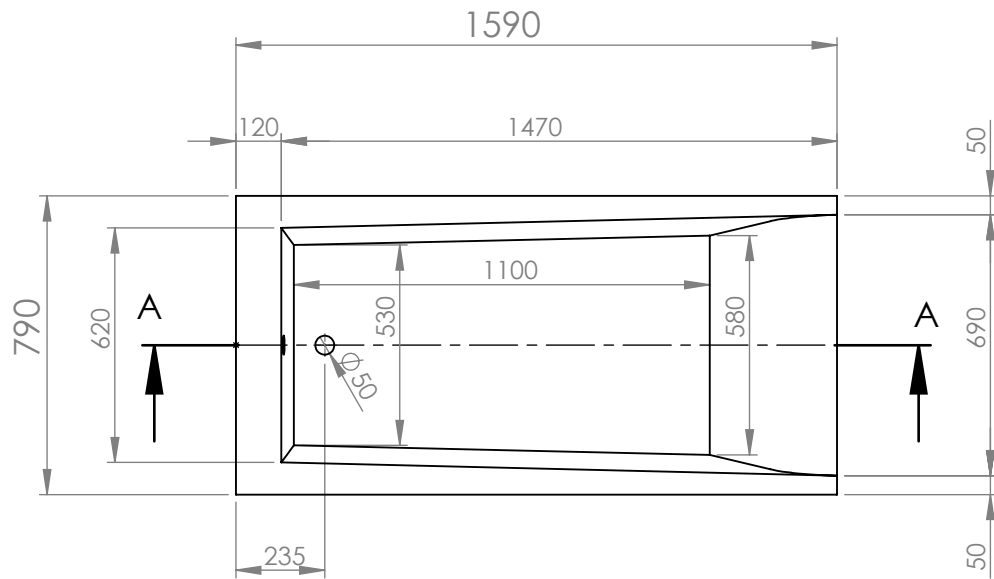
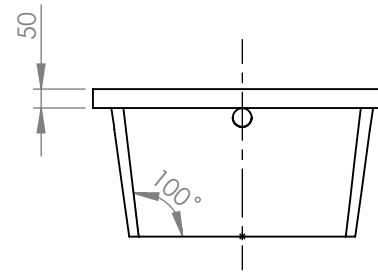
SECTION A-A




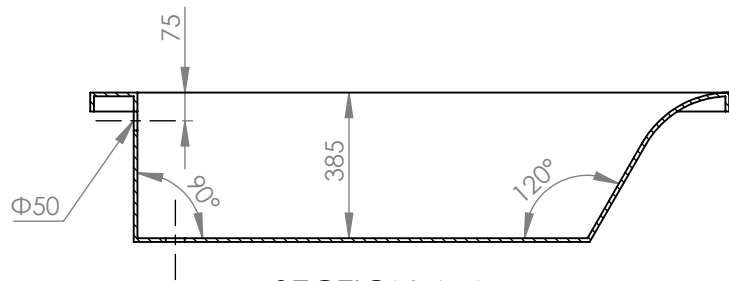
		TITLE: BATHTUB MOCCA LINE 150X80	
		DWG NO.	
DRAWN	DATE	NAME	A4
	05/07/2021	KONSTANTINOS PAIZANOS	SCALE:1:20 SHEET 1 OF 1



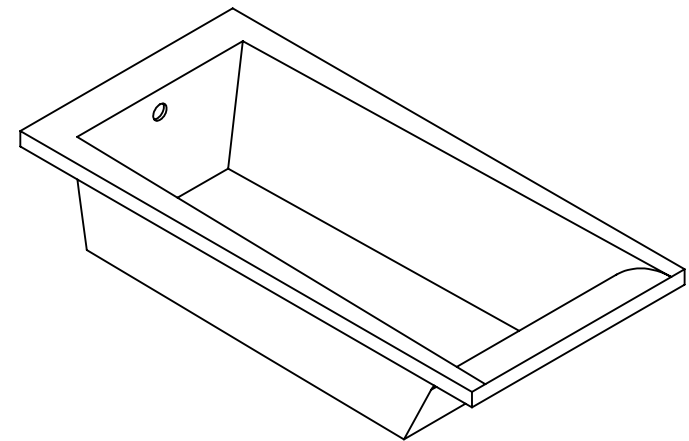
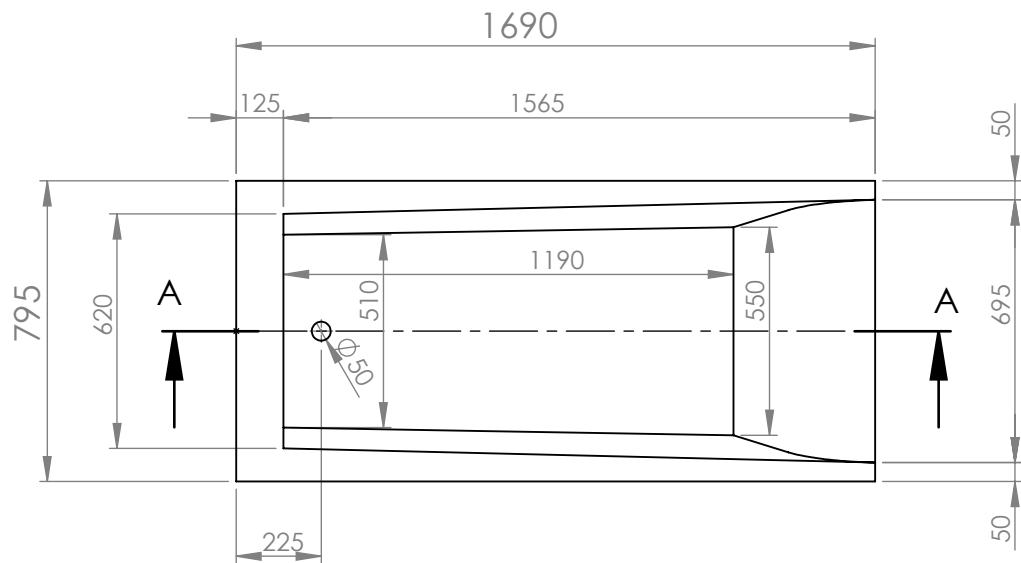
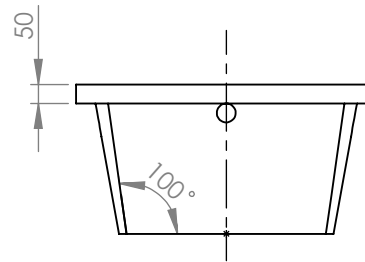
SECTION A-A




		TITLE: BATHTUB MOCCA LINE 160X80	
		DWG NO.	A4
DRAWN	DATE	NAME	SCALE:1:20
	05/07/2021	KONSTANTINOS PAIZANOS	SHEET 1 OF 1



SECTION A-A



		TITLE: BATHTUB MOCCA LINE 170X80	
		DWG NO.	A4
DRAWN	DATE	NAME	SCALE:1:20
	05/07/2021	KONSTANTINOS PAIZANOS	