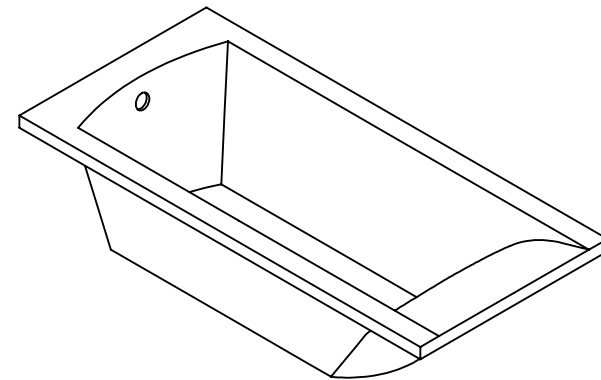
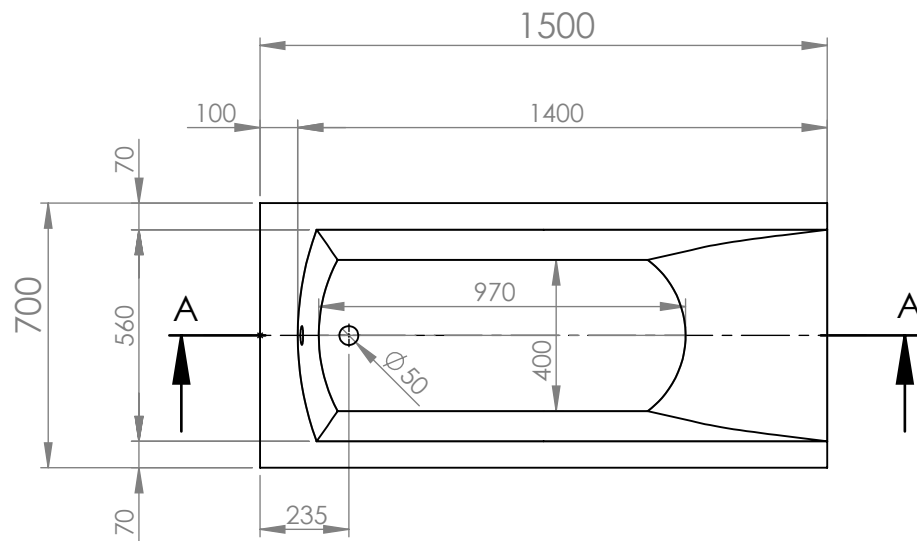
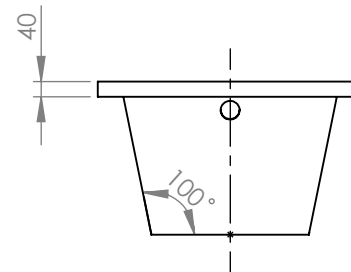

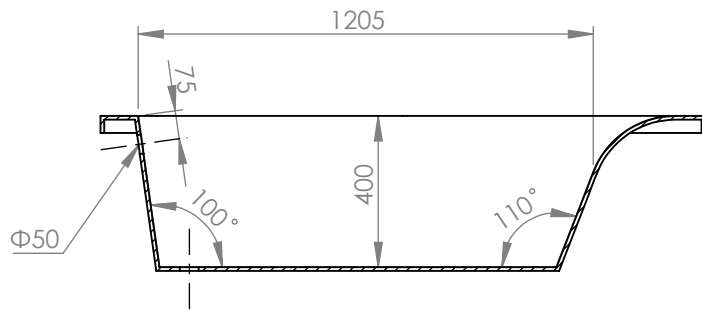


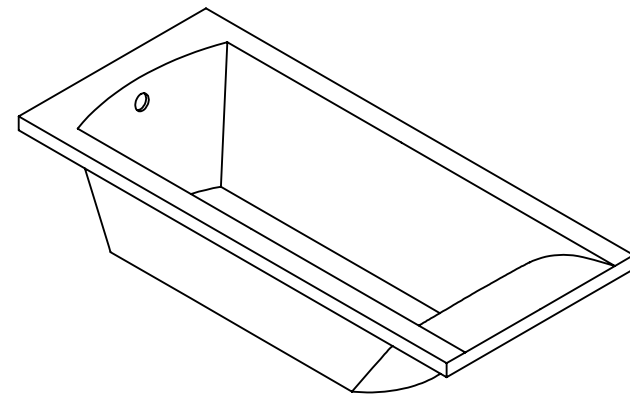
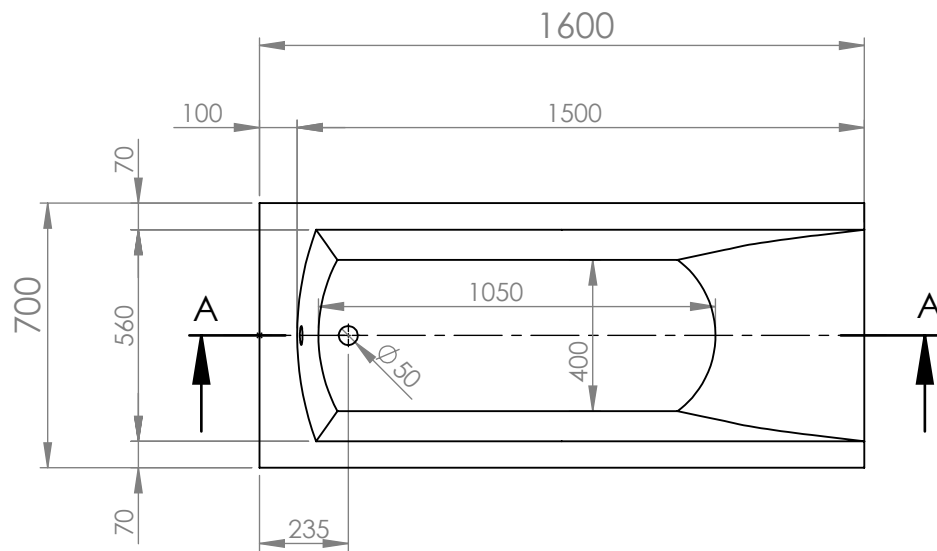
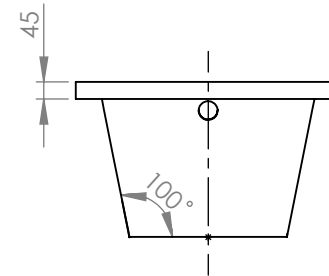
SECTION A-A



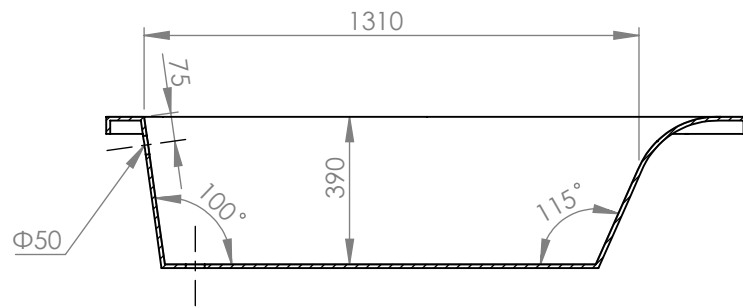
		TITLE:	
		BATHTUB SINE 150X70	
DRAWN	DATE	NAME	DWG NO.
	31/05/2021	KONSTANTINOS PAIZANOS	A4
		SCALE:1:20	SHEET 1 OF 1



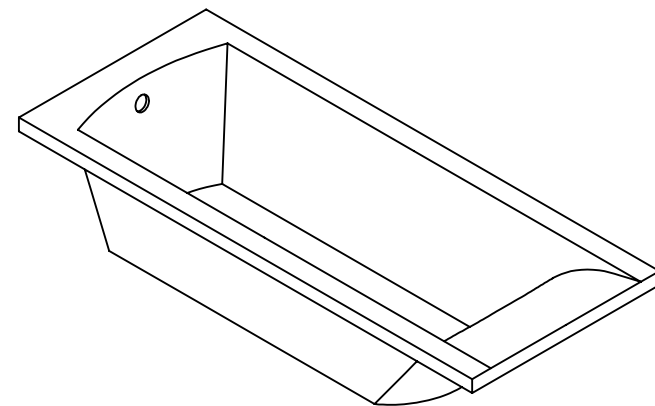
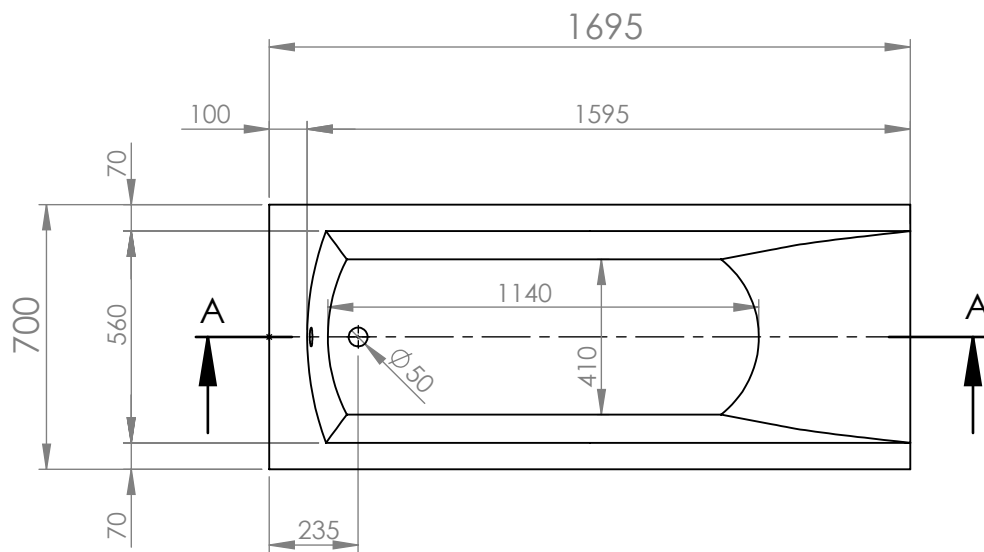
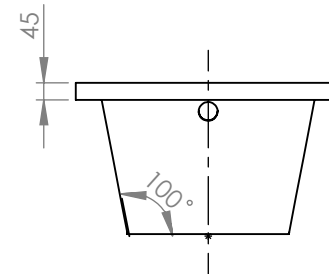
SECTION A-A




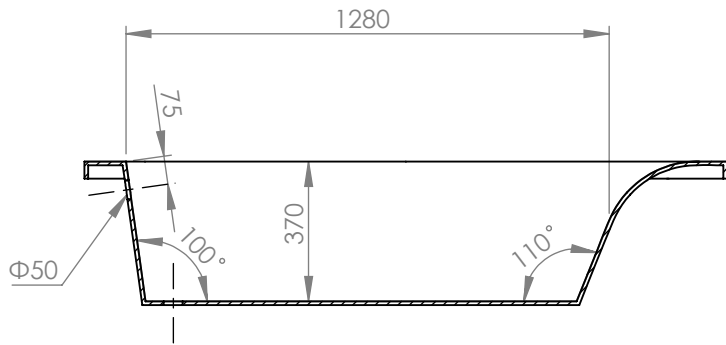
		TITLE:	
		BATHTUB SINE 160X70	
DRAWN	DATE	NAME	DWG NO.
	31/05/2021	KONSTANTINOS PAIZANOS	A4
		SCALE:1:20	SHEET 1 OF 1



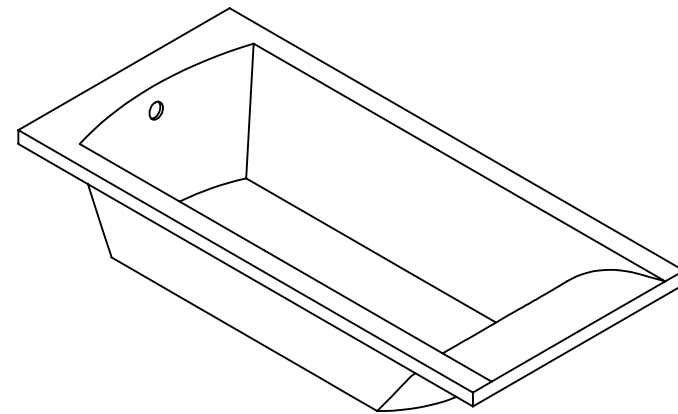
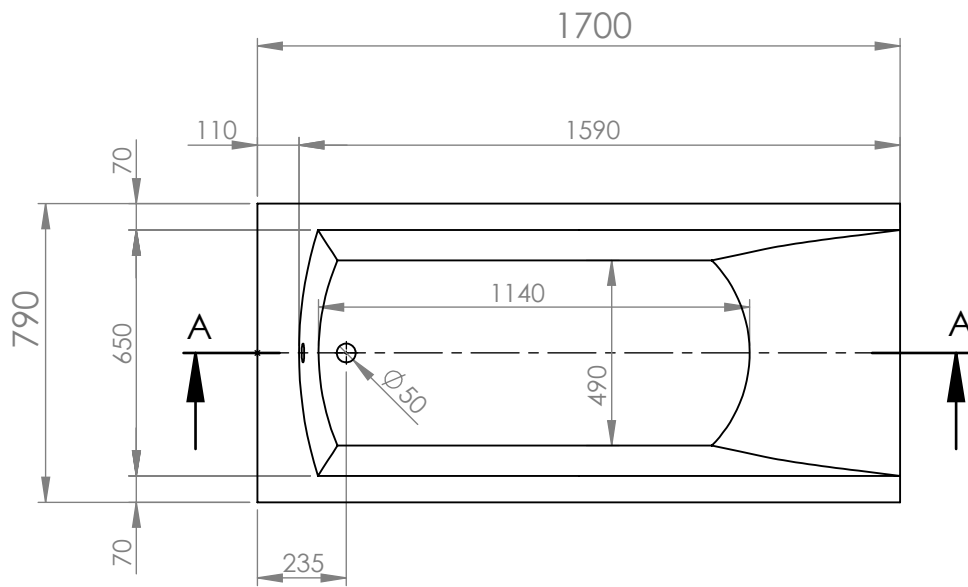
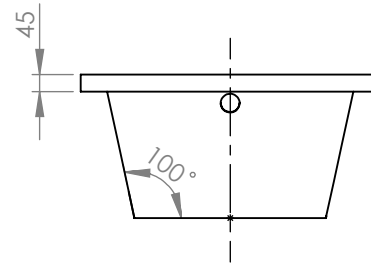
SECTION A-A




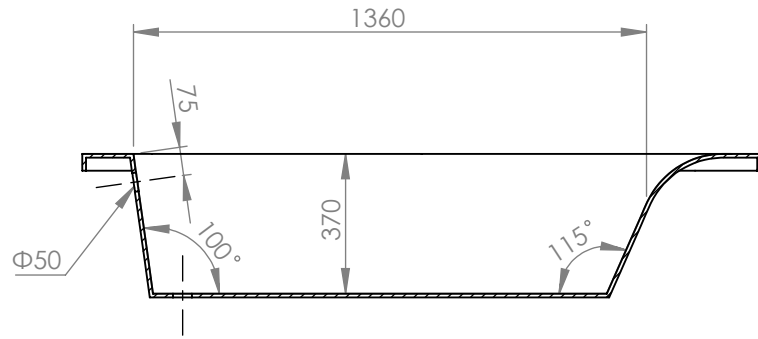
		TITLE:	
		BATHTUB SINE 170X70	
DRAWN	DATE	NAME	DWG NO.
	31/05/2021	KONSTANTINOS PAIZANOS	A4
		SCALE:1:20	SHEET 1 OF 1



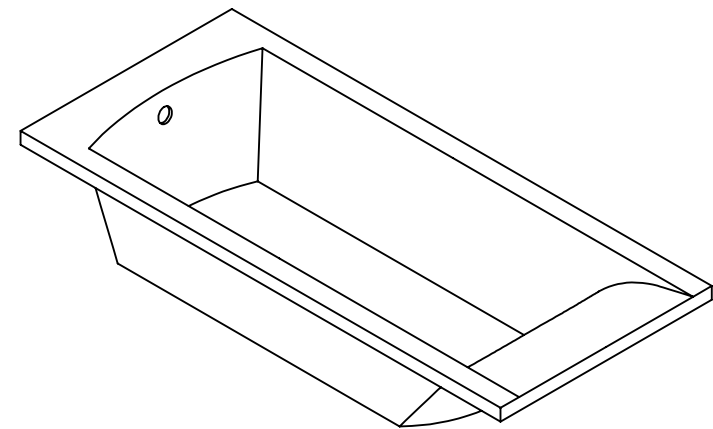
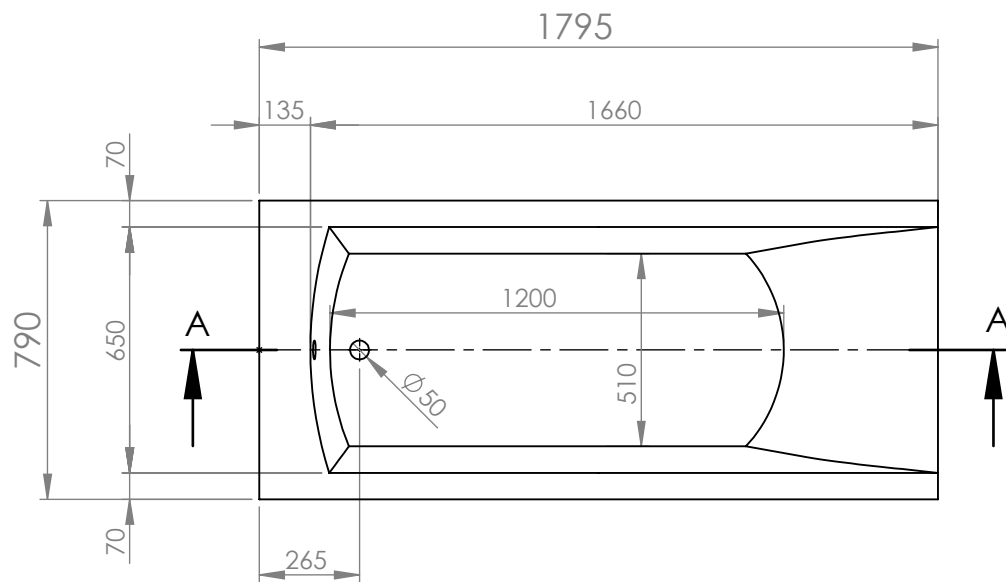
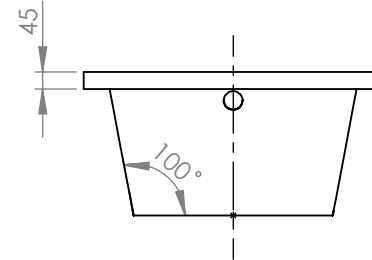
SECTION A-A




		TITLE:	
		BATHTUB SINE 170X80	
DRAWN	DATE	NAME	DWG NO.
	31/05/2021	KONSTANTINOS PAIZANOS	A4
		SCALE:1:20	SHEET 1 OF 1



SECTION A-A



		TITLE:	
		BATHTUB SINE 180X80	
DRAWN	DATE	NAME	DWG NO.
	31/05/2021	KONSTANTINOS PAIZANOS	A4
		SCALE:1:20	SHEET 1 OF 1