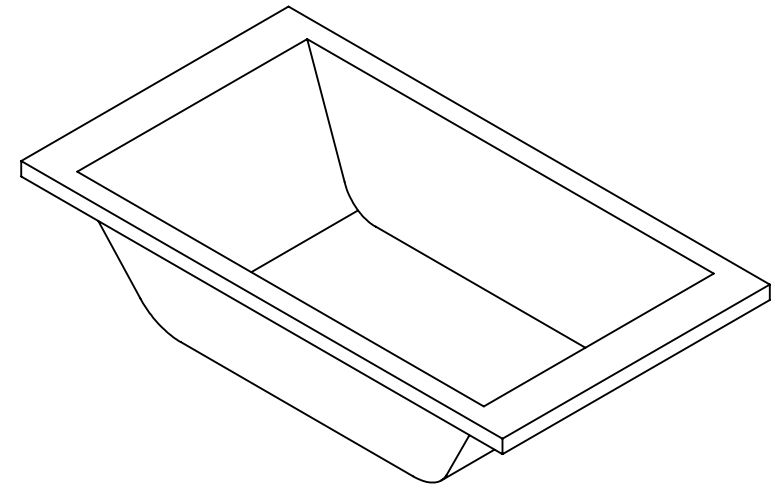
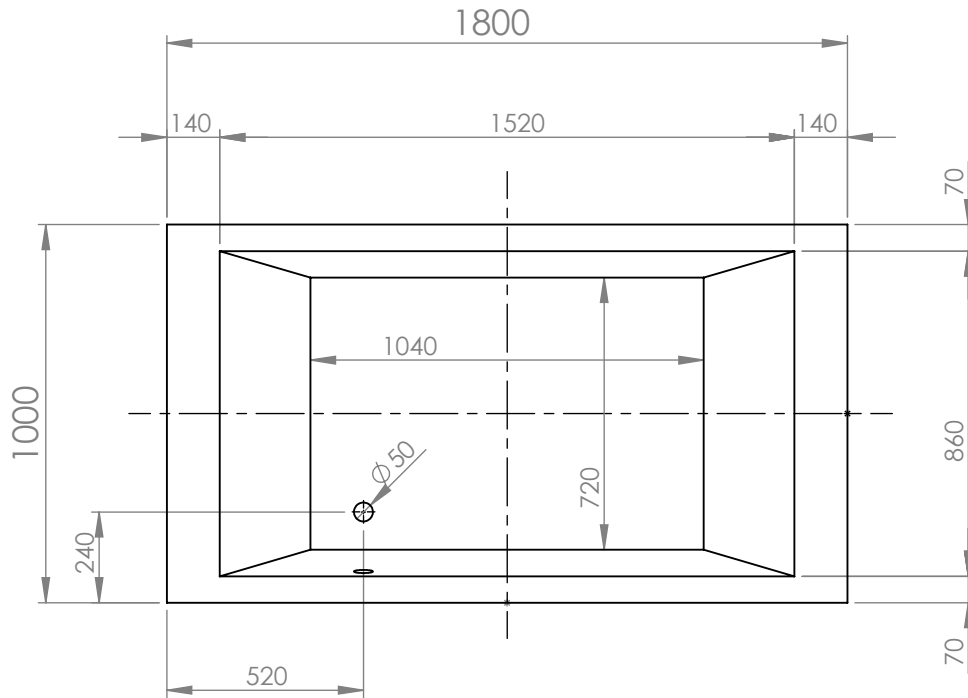


SECTION A-A



		TITLE: BATHTUB DUOLINE 180X100	
		DWG NO.	
DRAWN	DATE	NAME	A4
	03/07/2021	KONSTANTINOS PAIZANOS	SCALE:1:20
			SHEET 1 OF 1